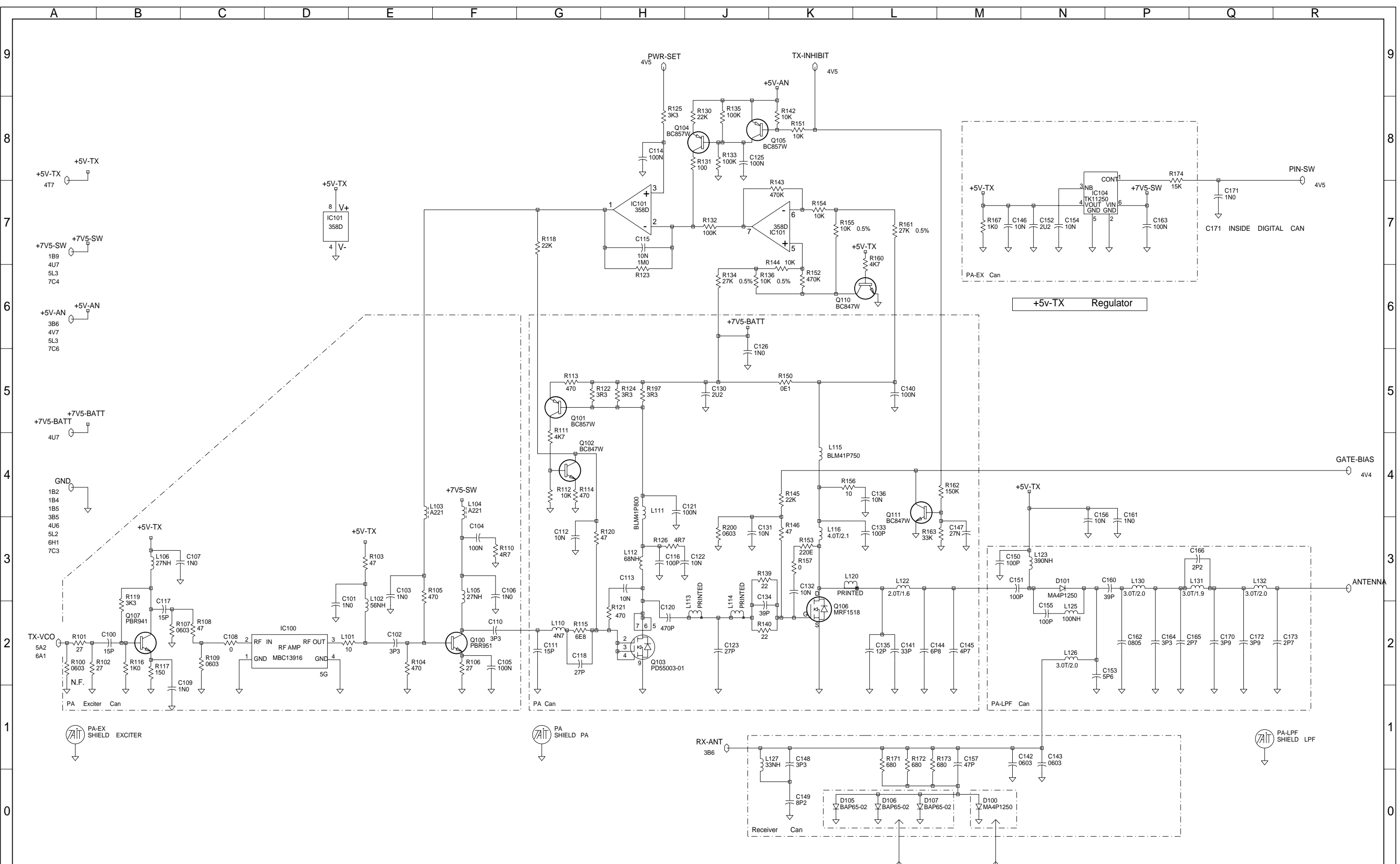


06C	ECO 50 1650 VALUES UPDATED	BRD			23-08-02	
06B	ECO 50 1650 VALUES UPDATED	BRD			22-08-02	
06A	DCO NO. 1624-008	BRD			07-05-02	
05A	CCO NO. 1624-007	BRD			29-03-01	
04A	CCO. NO. 1624-006	BRD			20-03-01	
03B	CCO NO 1624-005	BRD			08-06-00	
03A	ECO NO 50 0788	CJK	JJ		29-05-00	
02A	CCO NO.1624-004 AMP CHANGES	TS			16-12-99	
01A	INITIAL DES CCO 1624/001 002 003	BRD	JJ	CK	GR	25/11/99
REV/ISS	AMENDMENTS	DRAWN	CHKD	D.O.	APVD	DATE

06G	PLC GENERATED	BRD			22-01-03
06F	CREATED POSTSCRIPTS OF SCHEMS	BRD			16-12-02
06E	ECO 103200012 PA VALUE CHANGES	BRD			11-12-02
06D	NEW PASTE GENERATED	BRD			04-09-02

© TAIT ELECTRONICS
 TAIT ORCA : 450-530 MHZ
 SYSTEM DIAGRAM

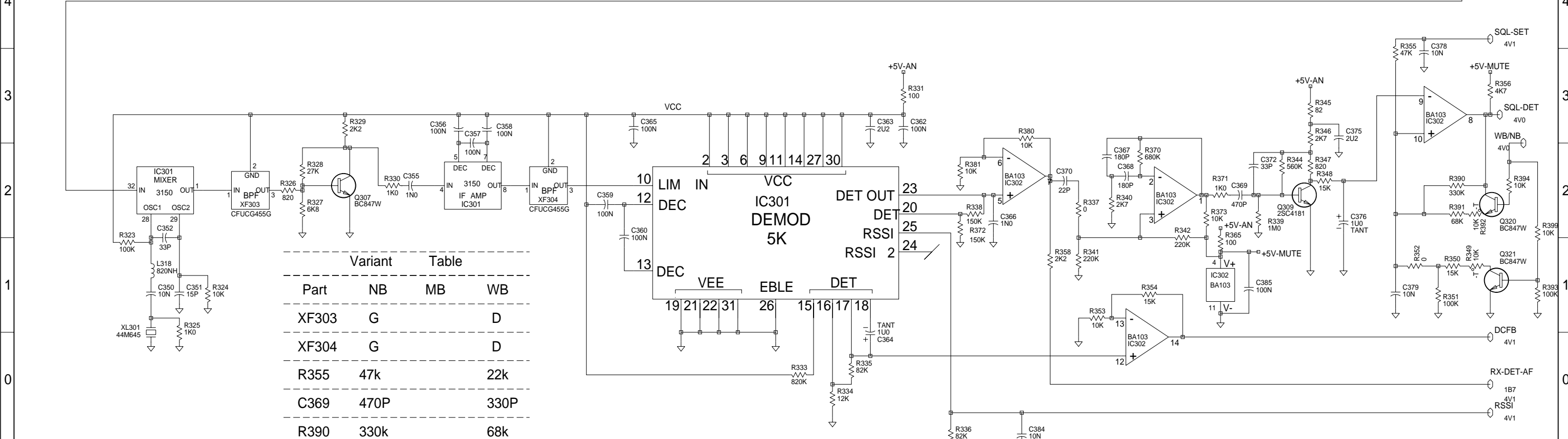
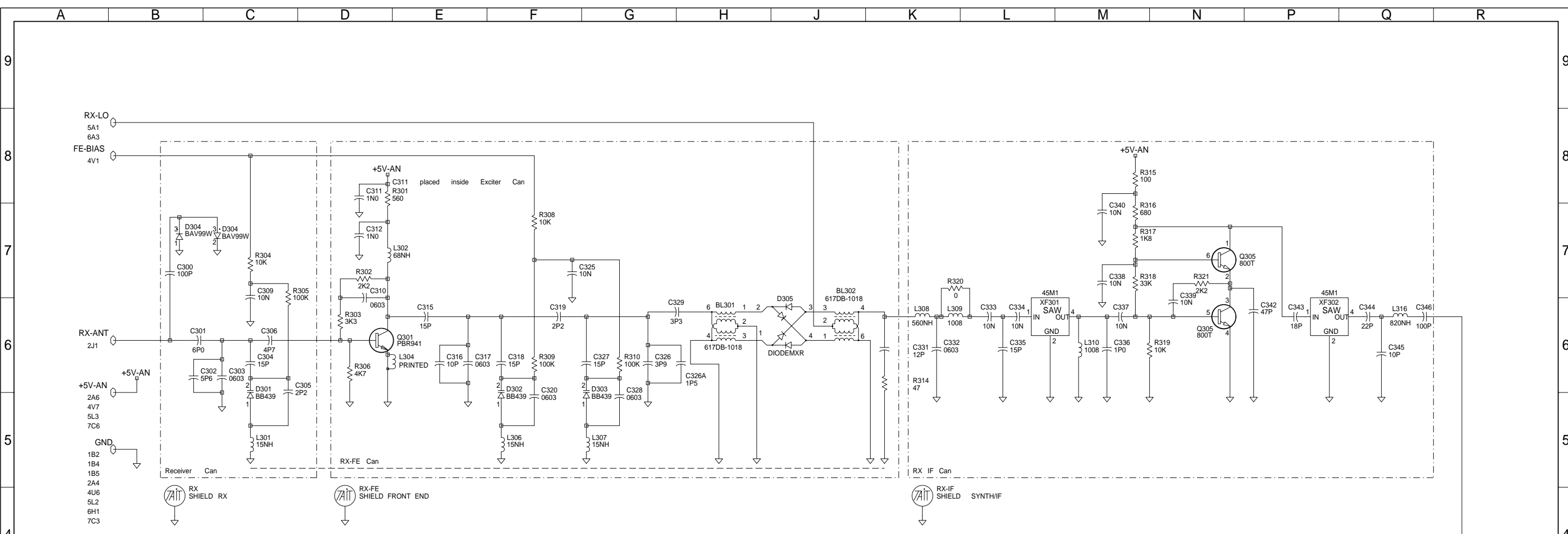
PROJECT: 220-01624-06
 DESIGNER: ORCA
 FILE NAME: 162406g
 FILE DATE: 23-Jan-03
 ISSUE: G
 ID: 2.SC. 1
 NO.SHEETS: 7



DUAL PLACEMENT Place Either Or
Place D105, D106, D107 or Only D100

© TAIT ELECTRONICS	
TAIT ORCA : 450-530 MHZ POWER AMPLIFIER	
IPN: 220-01624-06	ISSUE: G 2.S.C. 2
PROJECT: ORCA	DESIGNER: BRD
FILE NAME: 162406g	FILE DATE: 23-Jan-03
NO. SHEETS: 7	

02A	CCO NO.1624-004	AMP CHANGES	TS	16-12-99
REV/ISS	AMENDMENTS		DRAWN	CHKD
A	B	C	D	E



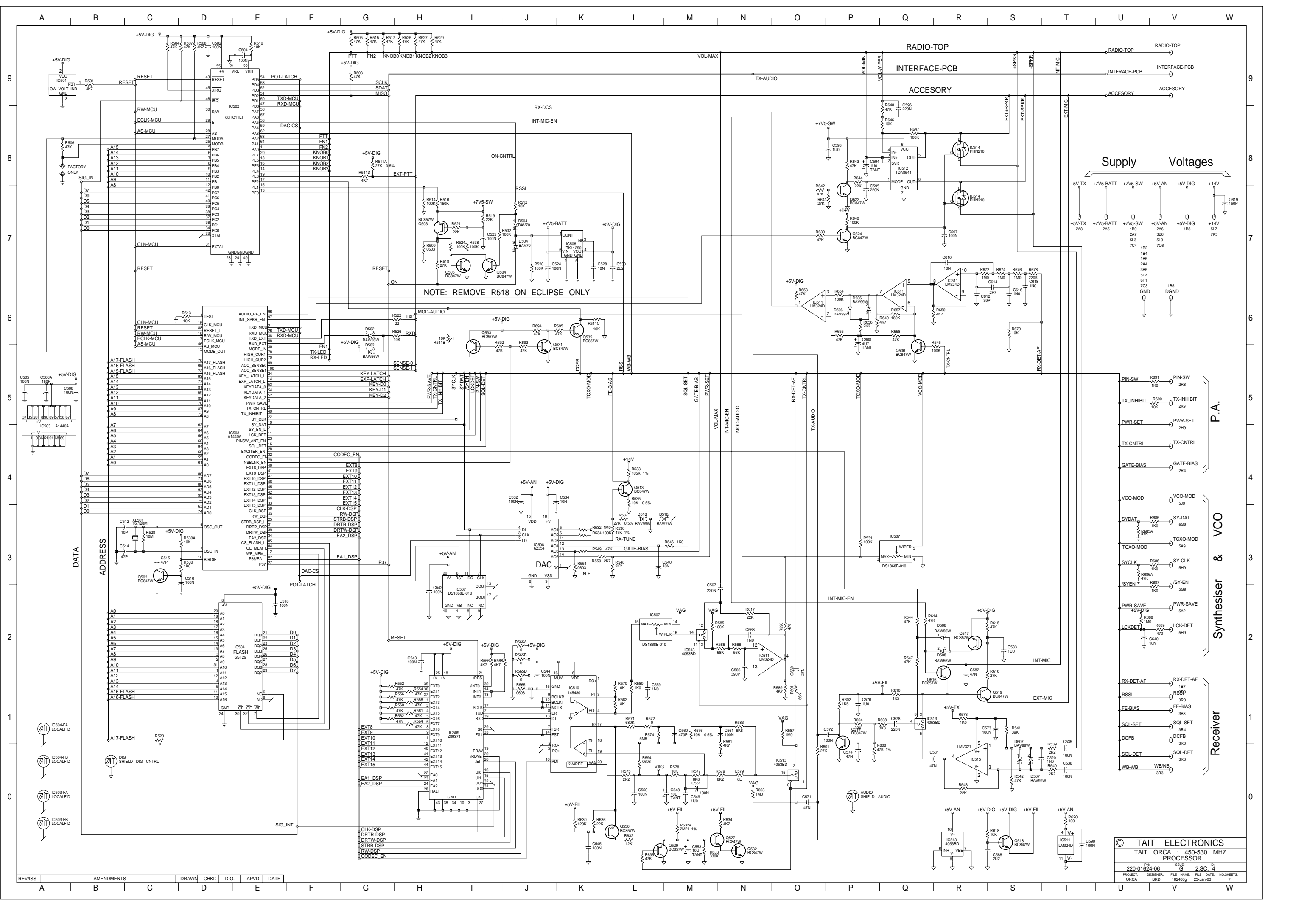
Variant Table

Part	NB	MB	WB
XF303	G		D
XF304	G		D
R355	47k		22k
C369	470P		330P
R390	330k		68k

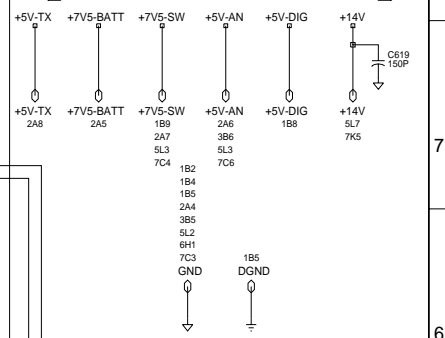
TAIT ELECTRONICS
 TAIT ORCA : 450-530 MHZ RECEIVER

IPN: 220-01624-06 ISSUE: G 2.SC. 3 ID:
 PROJECT: ORCA DESIGNER: BRD FILE NAME: 162406g FILE DATE: 23-Jan-03 NO. SHEETS: 7

REV/ISS	AMENDMENTS	DRAWN	CHKD	D.O.	APVD	DATE



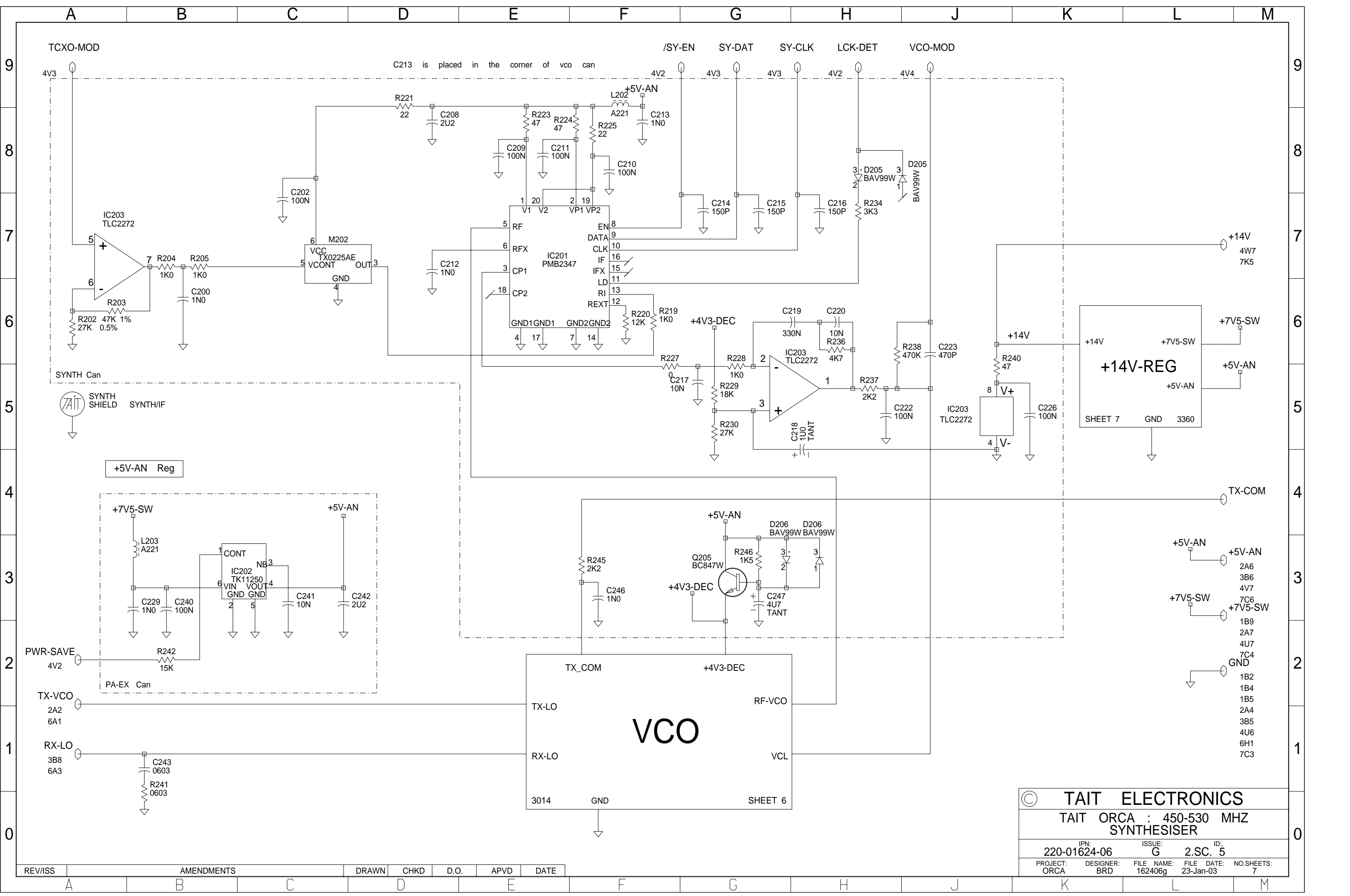
Supply Voltages



P.A.
Synthesiser & VCO
Receiver

© TAIT ELECTRONICS
 TAIT ORCA - 450-530 MHZ
 PROCESSOR
 PART: 220-01624-06
 ORCA

REV/ISS	AMENDMENTS	DRAWN	CHKD	D.O.	APVD	DATE
A	B	C	D	E	F	

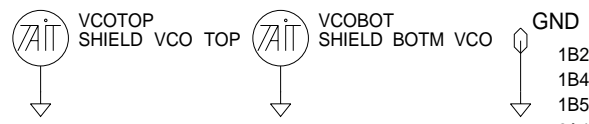
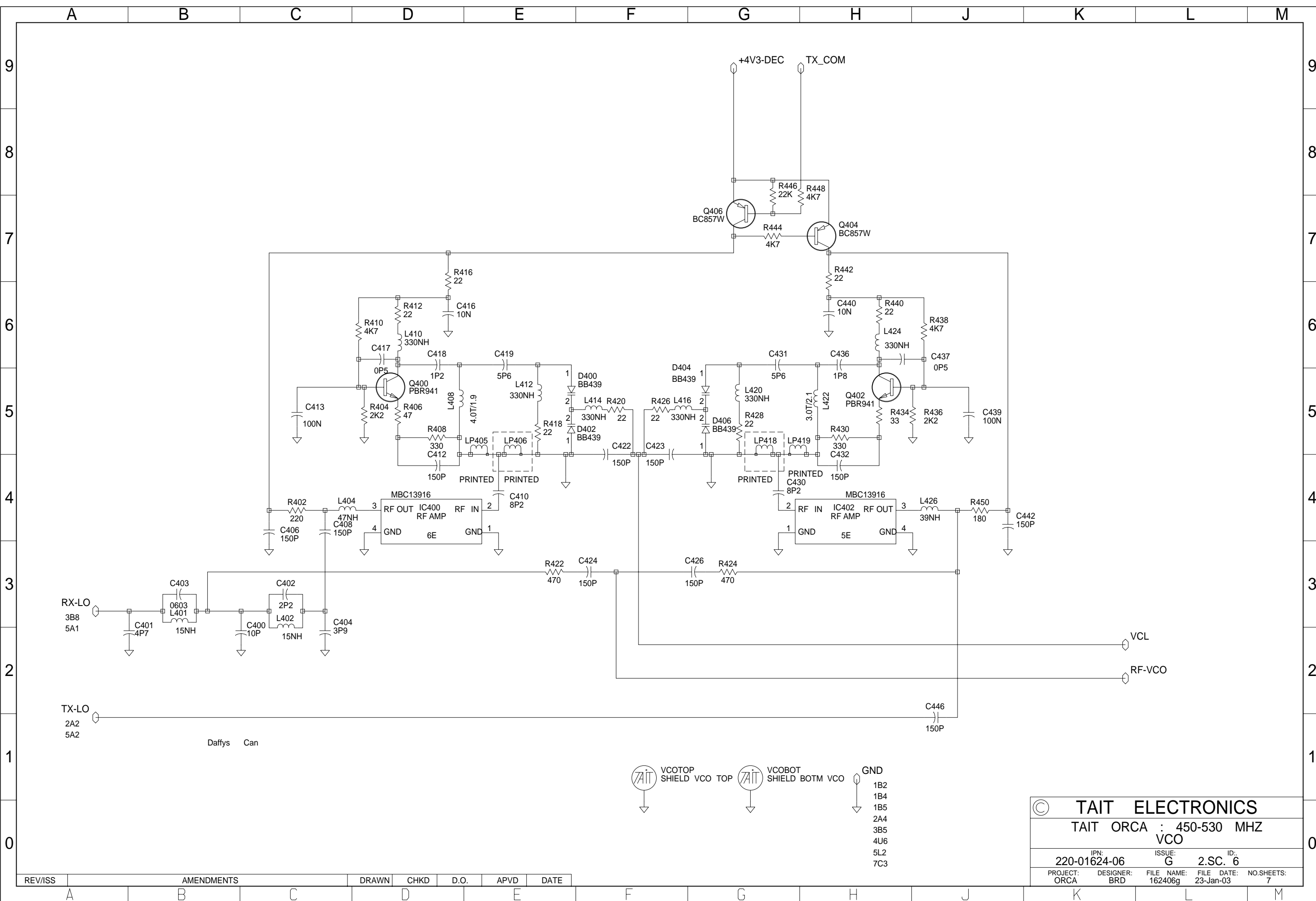


© TAIT ELECTRONICS
 TAIT ORCA : 450-530 MHZ SYNTHESISER

IPN: 220-01624-06	ISSUE: G	ID: 2.S.C. 5
PROJECT: ORCA	DESIGNER: BRD	FILE NAME: 162406g
	FILE DATE: 23-Jan-03	NO.SHEETS: 7

REV/ISS	AMENDMENTS	DRAWN	CHKD	D.O.	APVD	DATE

- TX-COM
- +14V 4W7 7K5
- +7V5-SW
- +5V-AN
- +14V-REG SHEET 7 GND 3360
- +14V
- +7V5-SW
- +5V-AN
- TX-COM
- +5V-AN 2A6
- +5V-AN 3B6
- +5V-AN 4V7
- +7V5-SW 7C6
- +7V5-SW 4U7
- +7V5-SW 7C4
- GND
- 1B2
- 1B4
- 1B5
- 2A4
- 3B5
- 4U6
- 6H1
- 7C3



- 1B2
- 1B4
- 1B5
- 2A4
- 3B5
- 4U6
- 5L2
- 7C3

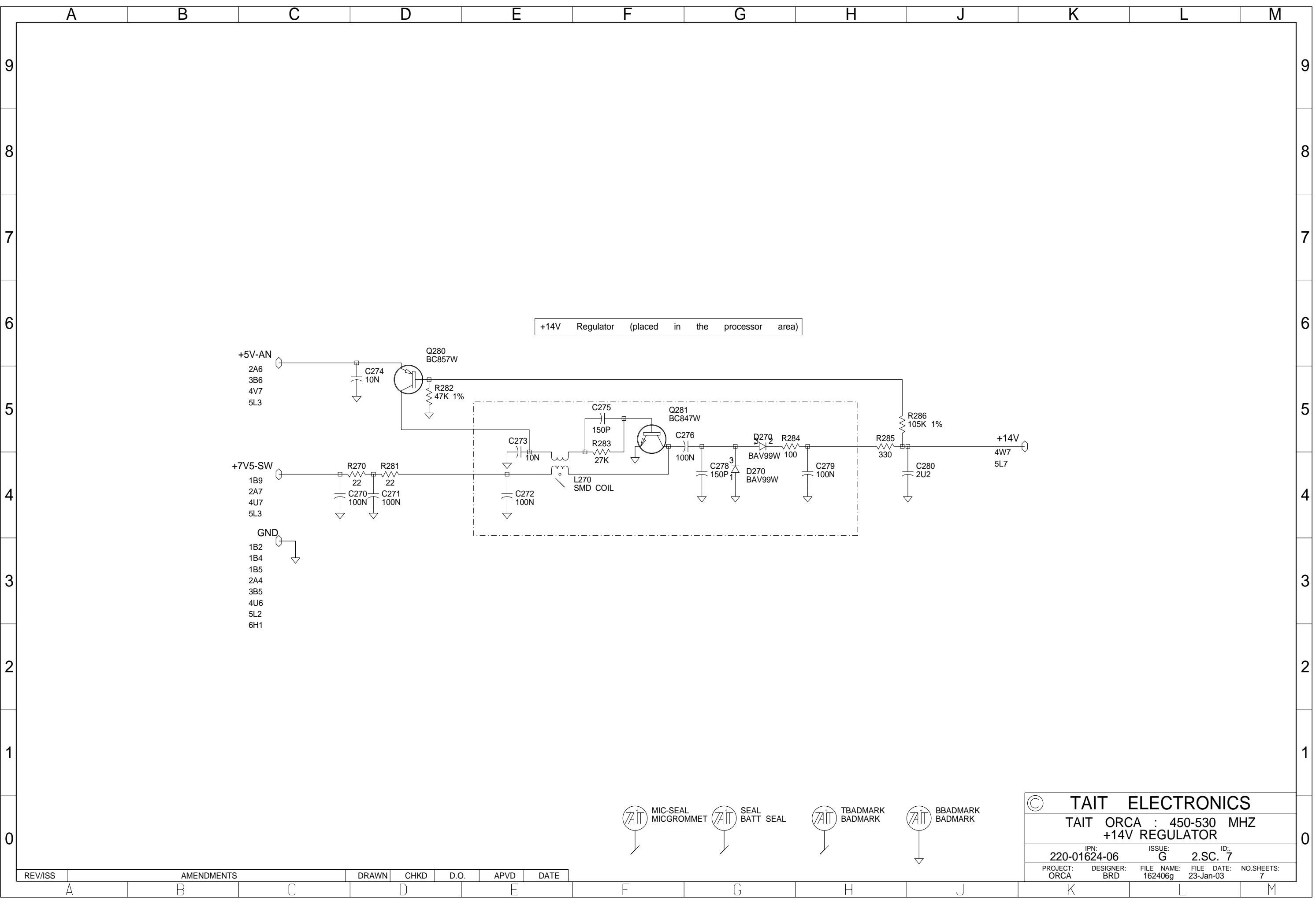
© TAIT ELECTRONICS
 TAIT ORCA : 450-530 MHZ
 VCO

IPN: 220-01624-06	ISSUE: G	ID: 2.SC. 6
PROJECT: ORCA	DESIGNER: BRD	FILE NAME: 162406g
	FILE DATE: 23-Jan-03	NO.SHEETS: 7

REV/ISS	AMENDMENTS	DRAWN	CHKD	D.O.	APVD	DATE

A B C D E F G H J K L M

9
8
7
6
5
4
3
2
1
0



+5V-AN
2A6
3B6
4V7
5L3

+7V5-SW
1B9
2A7
4U7
5L3

GND
1B2
1B4
1B5
2A4
3B5
4U6
5L2
6H1

+14V Regulator (placed in the processor area)

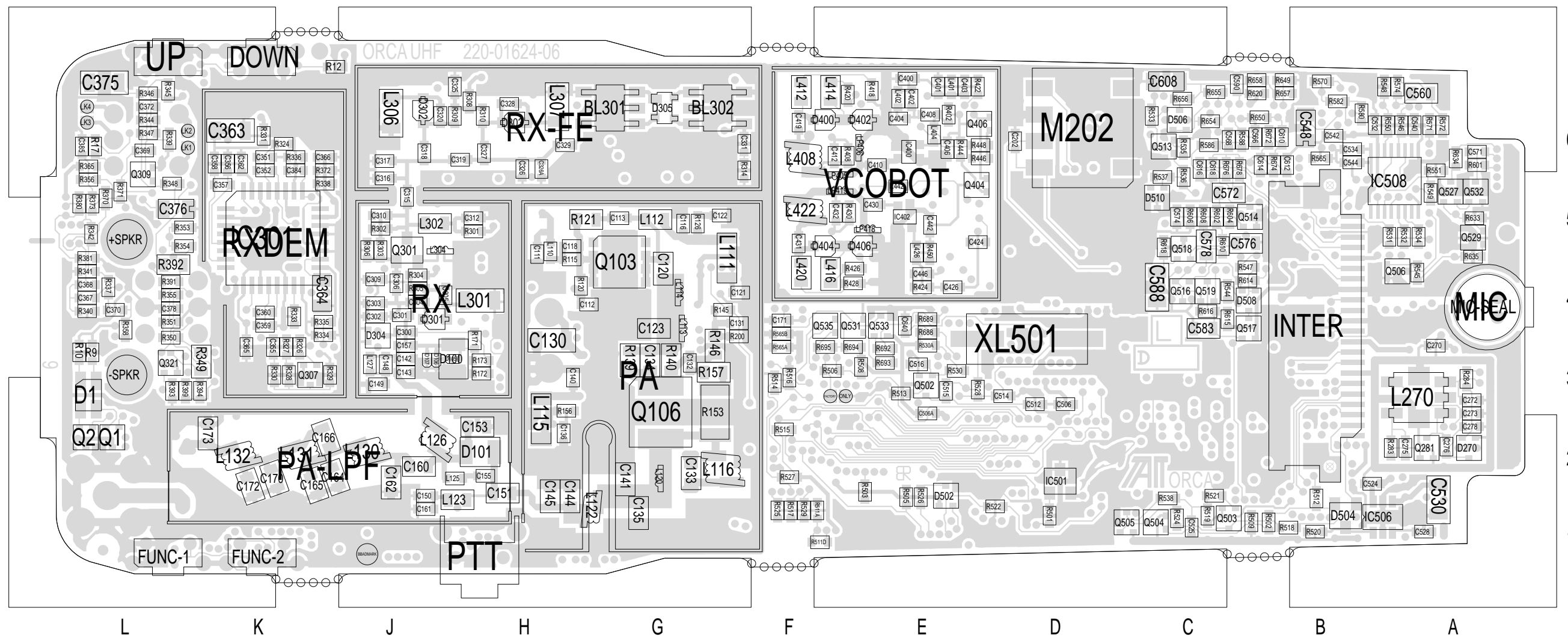
MIC-SEAL MICGROMMET
SEAL BATT SEAL
TBADMARK BADMARK
BBADMARK BADMARK

© TAIT ELECTRONICS
 TAIT ORCA : 450-530 MHZ
 +14V REGULATOR

IPN: 220-01624-06 ISSUE: G ID: 2.S.C. 7

PROJECT: ORCA DESIGNER: BRD FILE NAME: 162406g FILE DATE: 23-Jan-03 NO.SHEETS: 7

REV/ISS	AMENDMENTS	DRAWN	CHKD	D.O.	APVD	DATE



TAIT ELECTRONICS IPN: 220-01624-06 ISS: D ID: 6.BA DATE: 22 Jan 2003
 ORCA UHF PCB LAYOUT - BOTTOM SIDE

Scale: 2.3:1 ; Rotation: 0 degrees